

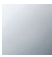

LULU Concealed two-way diverter - Chrome

LULU

36 200 710



- rotary diverter
- rosette 60 x 78 mm
- with shut-off function

	Chrome	36 200 710-00 0010
	Brushed Platinum	36 200 710-06 0010

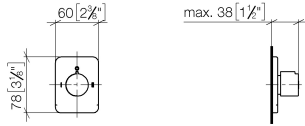
Required miscellaneous



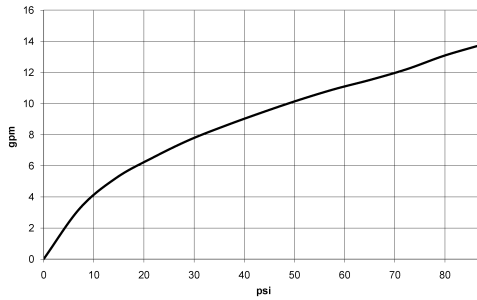
- | | |
|-------------------------------------|---------------|
| Concealed two-way diverter - | 35 202 970-90 |
| •max. recess depth 155 mm | 0010 |
| •min. recess depth 85 mm | |

36 200 710

mm [inches]



Flow rate chart



Codes & Standards

California Energy
Commission
(CEC)



LULU Concealed two-way diverter - Chrome

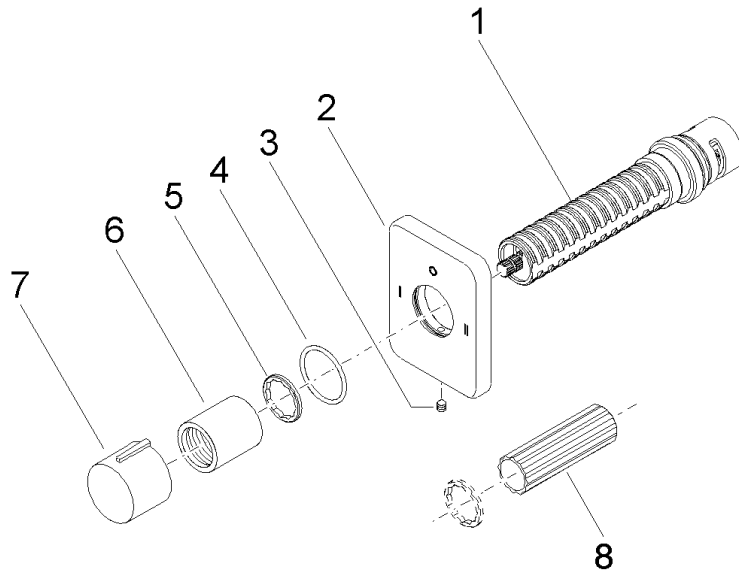
LULU

36 200 710

Certificates

IAPMO_4976 (7).

36 200 710



Spare parts list

No.	Item Number	Name	Quantity used	Delivery time
1	90 90 03 306 10 90	diverter	1	2
2	09 27 71 116-00	rosette	1	60
3	90 31 11 007 00 90	pin	1	2
4	90 14 10 063 00 90	seal	1	2
5	09 16 01 025 90	ring	1	2
6	09 21 02 070-00	cover	1	10
7	09 20 97 030-00	handle	1	10
8	90 30 09 010 00 90	key	1	2